



---

# MINI SKID LOADER

MODEL 1350 "PRO-SERIES"

---

## PARTS MANUAL

---

### RAMROD EQUIPMENT

(A Division of Leon's Mfg. Company Inc.)

**Canada**

P.O. Box 5002  
135 York Road East  
Yorkton, Saskatchewan  
S3N 3Z4

Phone: (800) 667-1581

Fax: (306) 782-1884

email: [sales@ramrodequip.com](mailto:sales@ramrodequip.com)

web site: [www.ramrodequip.com](http://www.ramrodequip.com)



## RAMROD TASKMASTER 1350 PARTS MANUAL INDEX

<b>TITLE</b>	<b>PAGE</b>
Body Assembly.....	1
Parts List – Body Assembly.....	2
Body Shields – Diesel Engine.....	3
Parts List – Body Shields Diesel Engine .....	4
Body Shields – Gas Engine.....	5
Parts List – Body Shields Gas Engine .....	6
Lift & Leveling Arm Assembly.....	7
Parts List – Leveling Arms .....	8
Track Assembly .....	9
Parts List - Track Assembly .....	10
DaeDong Diesel Engine Assembly .....	11
Parts List – Diesel Engine Assembly .....	12
DaeDong Diesel Engine .....	13
Parts List – Diesel Engine .....	14
Kawasaki Gas Engine .....	15
Parts List – Gas Engine .....	16
Electrical Assembly .....	17
Parts List – Electrical Assembly .....	18
Final Drive Assembly .....	19
Parts List – Final Drive .....	20
Hydraulic Circuit Layout .....	21
Hydraulic Valve Detail .....	22
Parts List - Hydraulic System .....	23 / 24
Hydraulic Cylinders .....	25
Parts List - Hydraulic Cylinders .....	26
Hydraulic Circuit Diagram .....	27
Parts List – Decals .....	28

## USING THE PARTS LIST

### **ITEM**

The item number is the identifying number from the illustration.

### **PART NUMBER**

The part numbers that appear in the part number column are 7 digit numbers by which the components may be identified and ordered.

### **DESCRIPTION**

This column contains the name and description of the part.

### **QUANTITY**

This column shows the quantity of each mini-skid component used.

## ORDERING PARTS

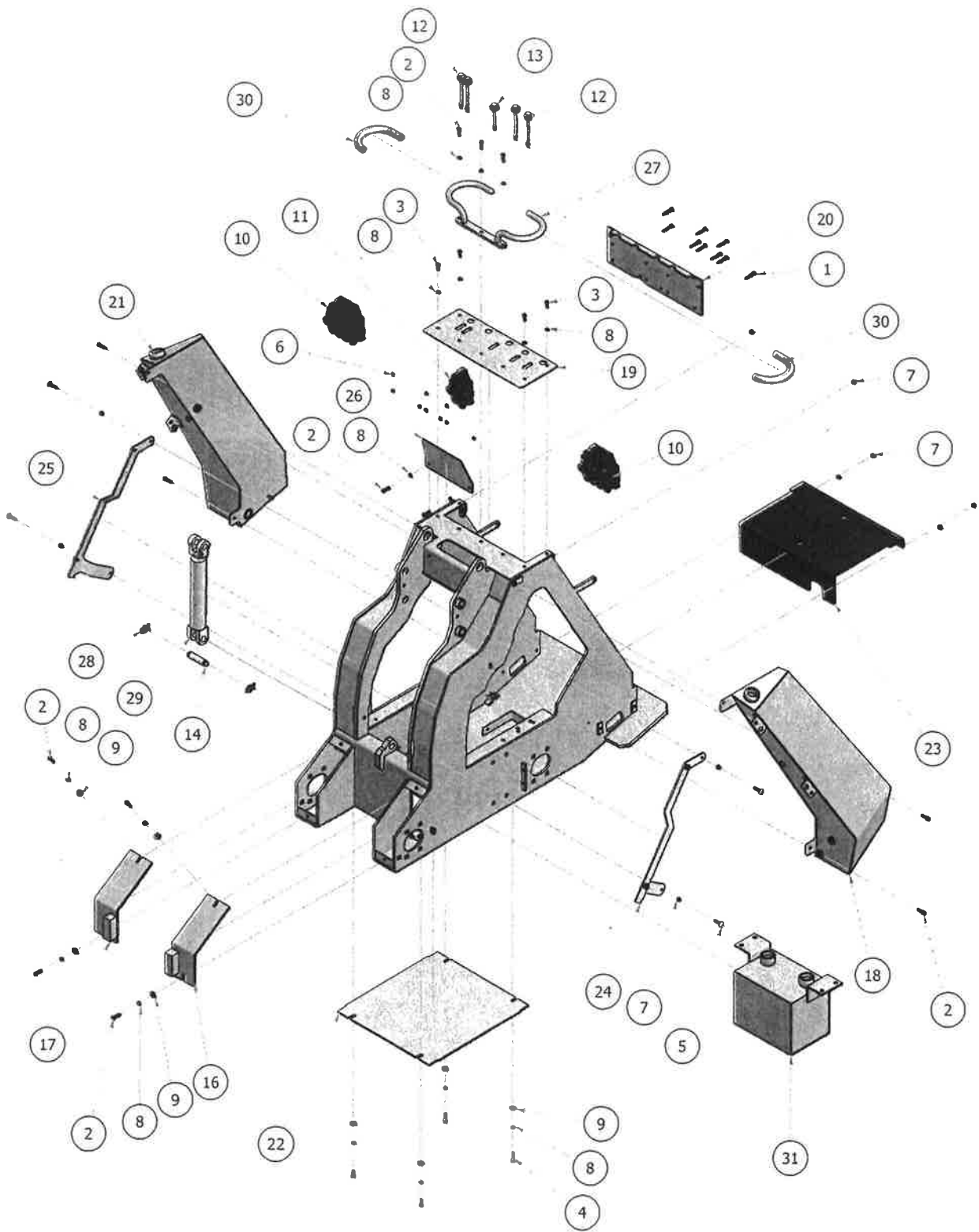
When ordering parts, be sure to state:

1. Part Number
2. Full Description
3. Quantity Required
4. Mini-Skid Model and Serial Number

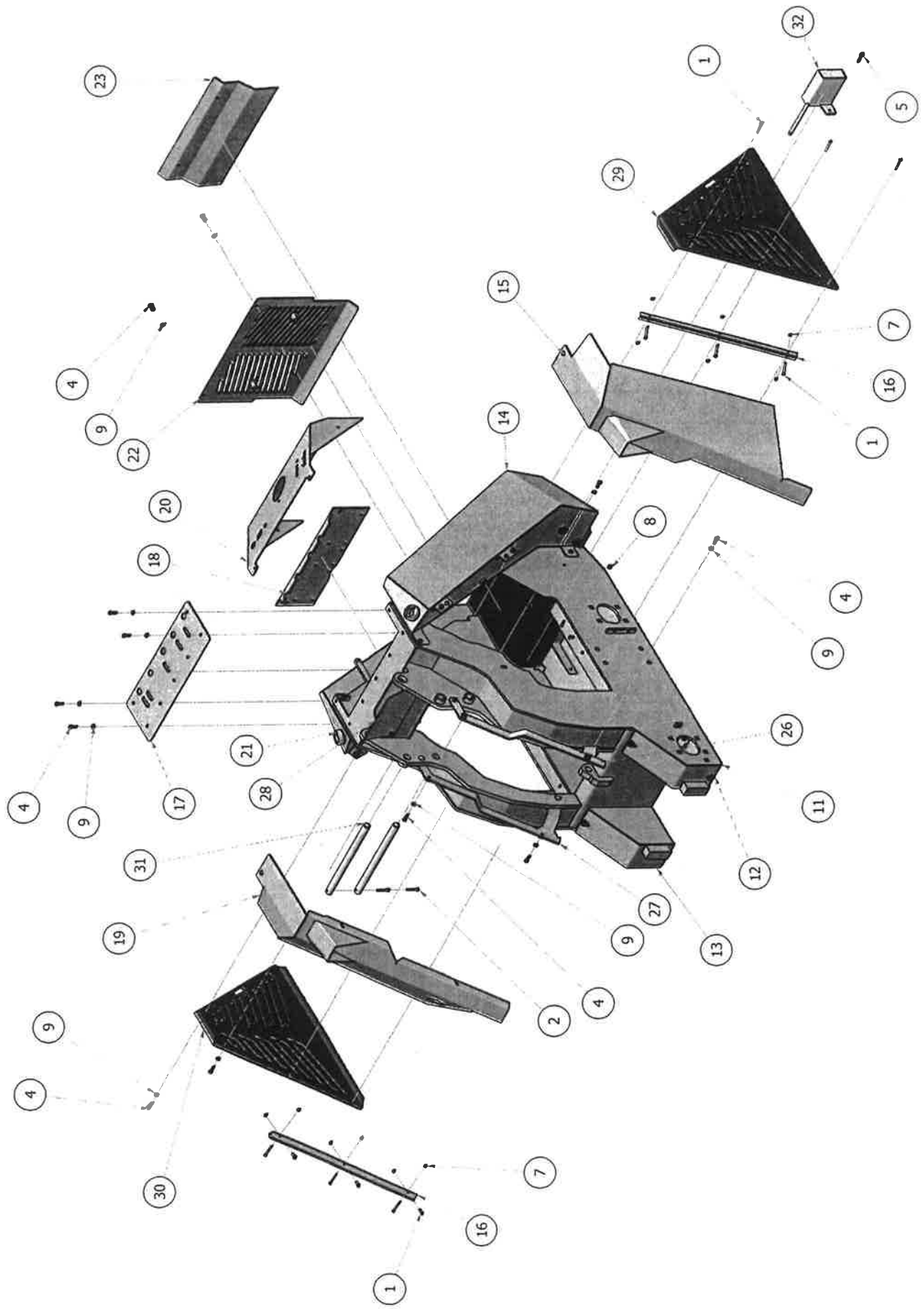
**NOTES:** The references to right and left used throughout this manual refer to the position when operating the machine, facing forward.

Specifications within the manual are subject to change without notice. Parts may not be exactly as shown.



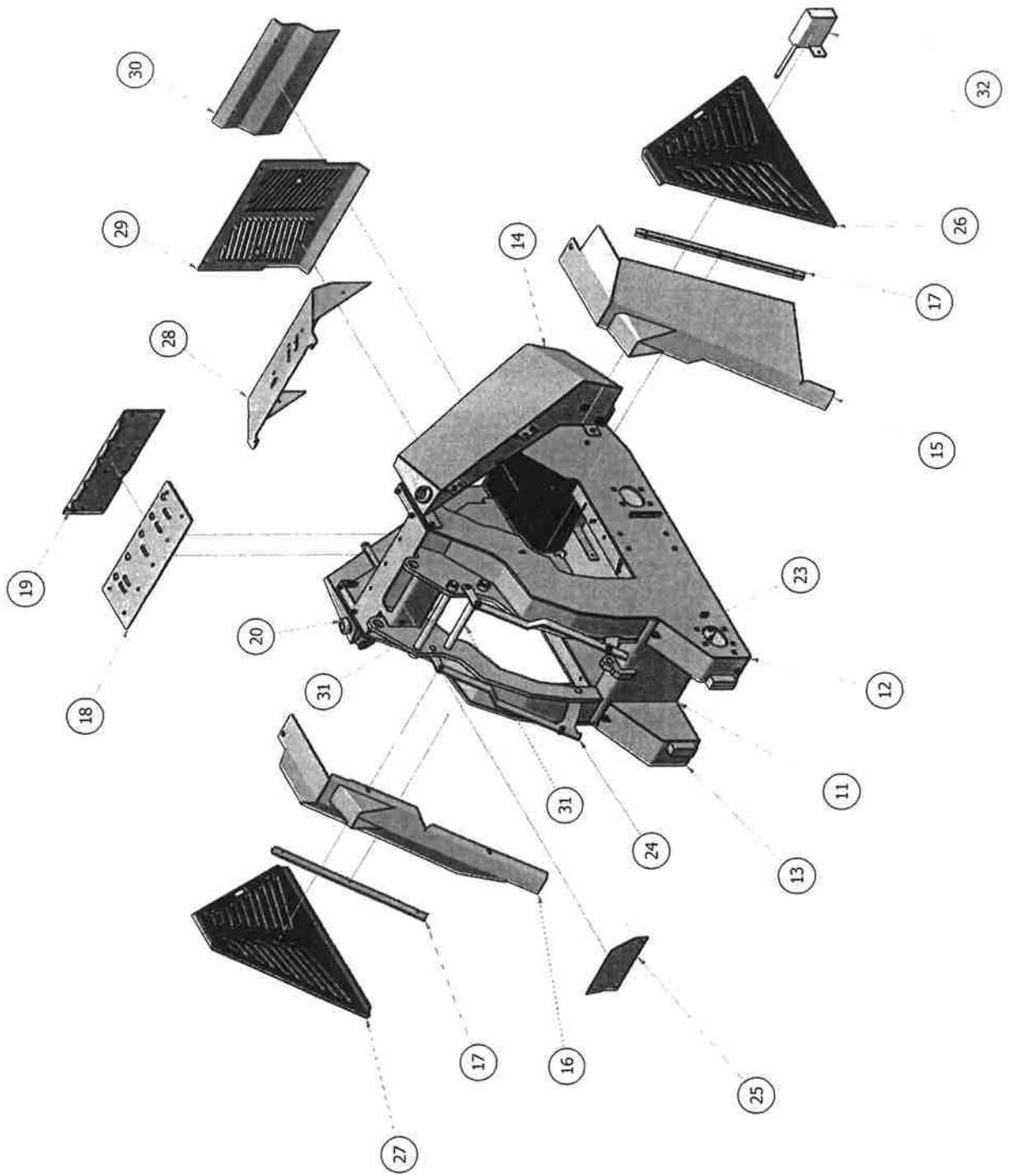


BILL of MATERIALS			
ITEM	PART NUMBER	DESCRIPTION	QTY
1	1101954	5/16" X 2" UNC GR. 5 PLATED HEX BOLT	9
2	1101998	3/8" X 1 1/4" UNC GR. 5 PLATED HEX BOLT	13
3	1102001	3/8" X 1" UNC GR. 5 PLATED HEX BOLT	6
4	1102002	3/8" X 1 1/2" UNC GR. 5 PLATED HEX BOLT	2
5	1102379	3/8" X 1 1/2" UNC CARRIAGE BOLT GR. 5	4
6	1102521	5/16 UNC HEX LOCK NUT GR.5 PLATED	9
7	1102536	3/8" UNC HEX LK. NUT GR.5 PLATED	10
8	1102590	3/8" SPLIT SPRING LOCK WASHER, PLATED	17
9	1102609	3/8" FLAT WASHER, PLATED	8
10	1125840	AUXILIARY VALVE	2
11	1125841	AUXILIARY VALVE	1
12	1190066	CONTROL LEVER - VALVE - LONG	4
13	1190106	CONTROL LEVER - VALVE - SHORT	1
14	1235090	GROOVE PIN 1" x 3 7/8" LG	1
15	1235800 (A1110001)	MAIN CHASSIS	1
16	1235830 (A1110030)	FRONT COVER - LEFT	1
17	1235831 (A1110031)	FRONT COVER - RIGHT	1
18	1235844 (A1110044)	TANK - LEFT - FUEL	1
19	1235855 (A1110055)	PLATE - TOP CONTROL COVER	1
20	1235856 (A1110056)	PLATE - VALVE MOUNT	1
21	1235863 (A1110063)	TANK - RIGHT - OIL	1
22	1235870 (A1110070)	PLATE - BOTTOM COVER	1
23	1235871 (A1110071)	PLATE - STAND PLATFORM	1
24	1235872 (A1110072)	SHIELD MOUNT - FRONT - LEFT	1
25	1235873 (A1110073)	SHIELD MOUNT - FRONT - RIGHT	1
26	1235875 (A1110075)	PANEL - LIFT ARM GUARD	1
27	1240010	OPERATOR BAR	1
28	1500115	PIN RETAINER	2
29	1127485	LIFT CYLINDER	1
30	1190086	COVER GRIP - OPERATOR BAR	2
31	1232792	FRONT HYDRAULIC TANK	1

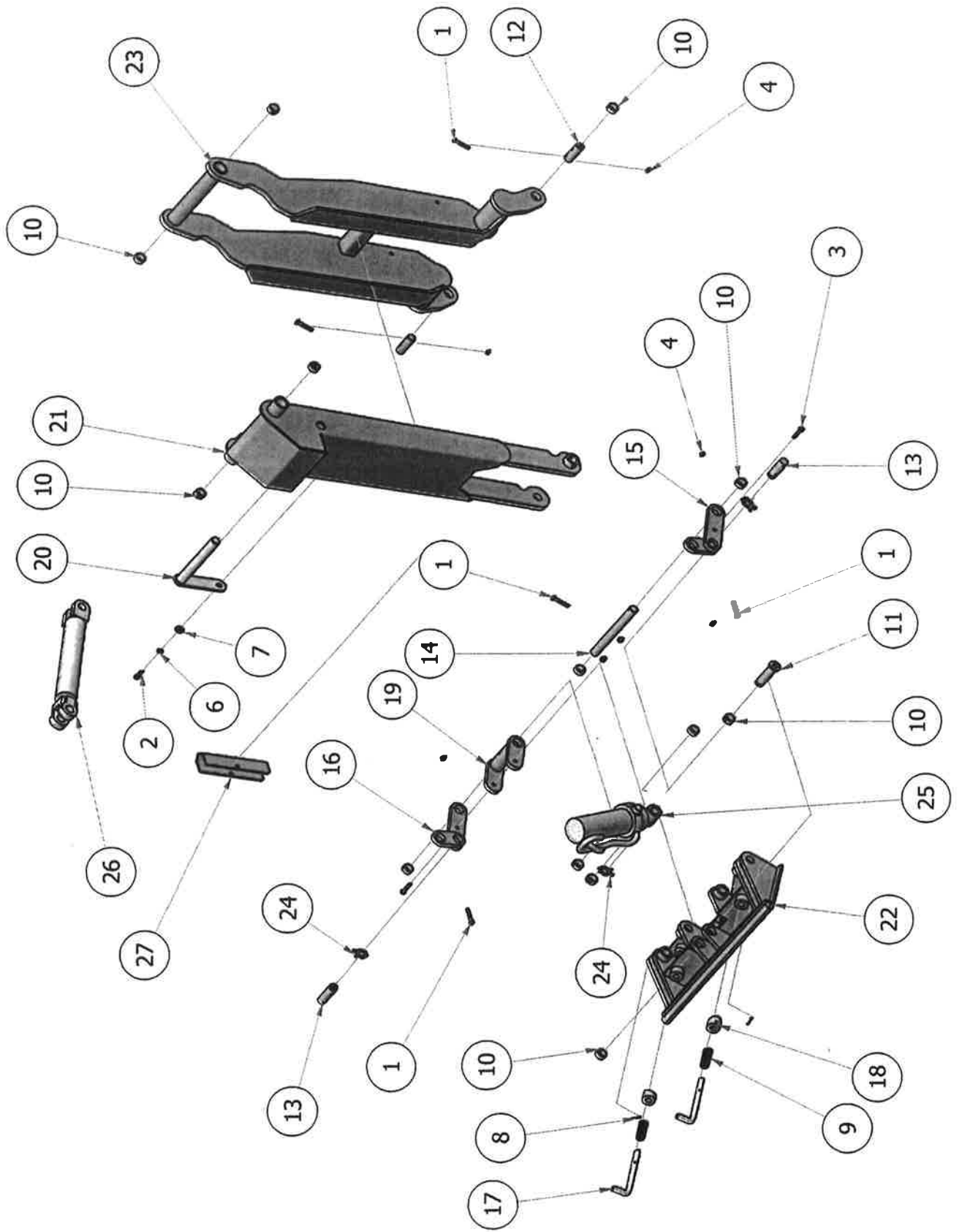




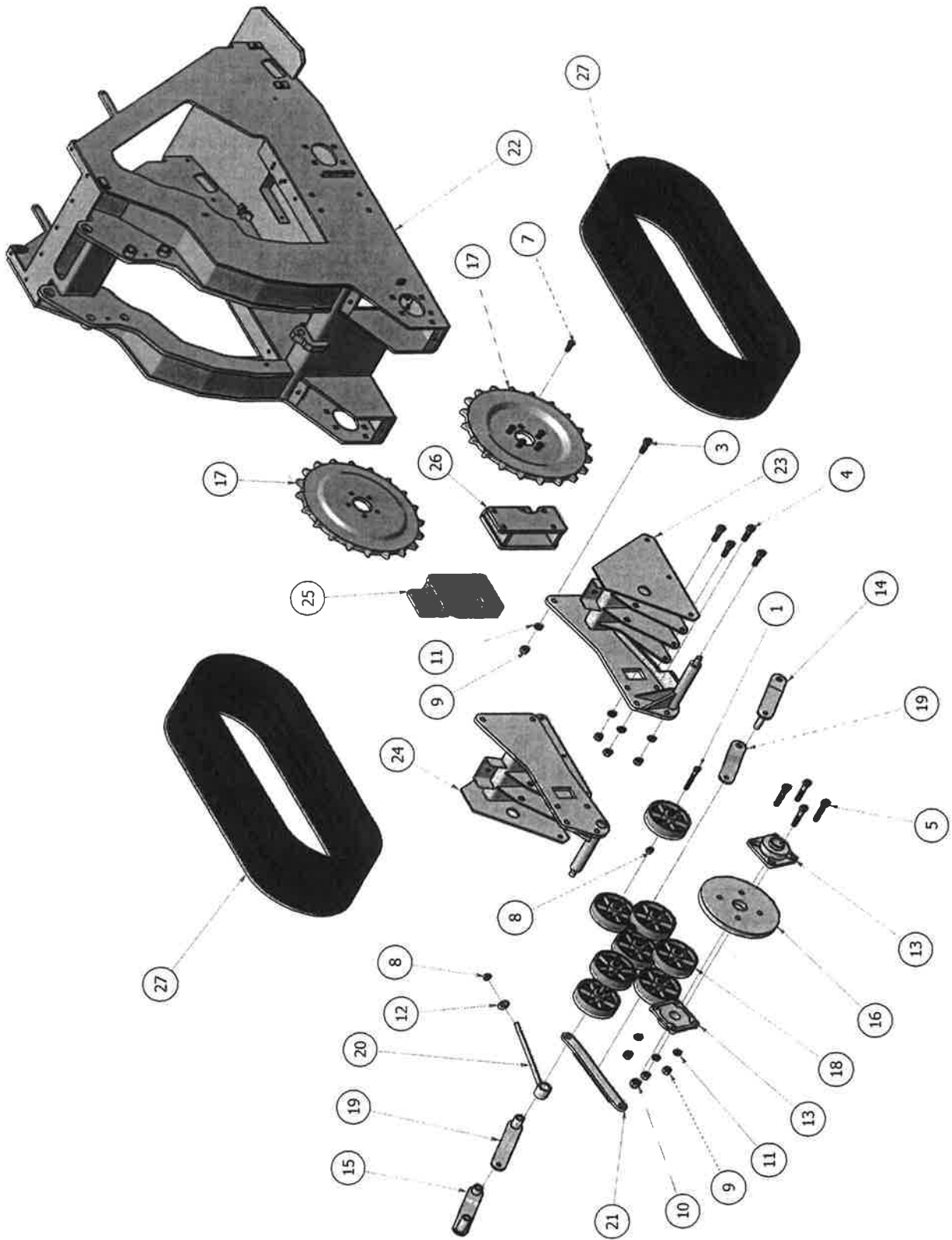
BILL of MATERIALS			
ITEM	PART NUMBER	DESCRIPTION	QTY
1	1101923	1/4" X 3/4" UNC GR. 5 PLATED HEX BOLT	12
2	1101954	5/16" X 2" UNC GR. 5 PLATED HEX BOLT	2
3	1101998	3/8" X 1 1/4" UNC GR. 5 PLATED HEX BOLT	10
4	1102001	3/8" X 1" UNC GR. 5 PLATED HEX BOLT	16
5	1102002	3/8" X 1 1/2" UNC GR. 5 PLATED HEX BOLT	3
6	1102379	3/8" X 1 1/2" UNC CARRIAGE BOLT GR. 5	4
7	1102516	1/4" UNC HEX LK. NUT GR.5 PLATED	12
8	1102536	3/8" UNC HEX LK. NUT GR.5 PLATED	11
9	1102590	3/8" SPLIT SPRING LOCK WASHER, PLATED	24
10	1102609	3/8" FLAT WASHER, PLATED	8
11	1235800 (A1110001)	MAIN CHASSIS	1
12	1235830 (A1110030)	FRONT COVER - LEFT	1
13	1235831 (A1110031)	FRONT COVER - RIGHT	1
14	1235844 (A1110044)	TANK - LEFT - FUEL	1
15	1235849 (A1110049)	SHIELD - FRONT - LEFT	1
16	1235853 (A1110053)	HINGE - 2 X 25	2
17	1235855 (A1110055)	PLATE - TOP CONTROL COVER	1
18	1235856 (A1110056)	PLATE - VALVE MOUNT	1
19	1235858 (A1110058)	SHIELD - FRONT - RIGHT (DIESEL)	1
20	1235859 (A1110059)	DASH PANEL - DAEDONG (DIESEL)	1
21	1235863 (A1110063)	TANK - RIGHT - OIL	1
22	1235868 (A1110068)	GRILL - REAR PANEL - DAEDONG (DIESEL)	1
23	1235869 (A1110069)	PANEL - TOE KICK - DAEDONG (DIESEL)	1
24	1235870 (A1110070)	PLATE - BOTTOM COVER	1
25	1235871 (A1110071)	PLATE - STAND PLATFORM	1
26	1235872 (A1110072)	SHIELD MOUNT - FRONT - LEFT	1
27	1235873 (A1110073)	SHIELD MOUNT - FRONT - RIGHT	1
28	1235875 (A1110075)	PANEL - LIFT ARM GUARD	1
29	1235880 (A1110080)	GRILL SHIELD - LEFT	1
30	1235881 (A1110081)	GRILL SHIELD - RIGHT	1
31	1235950	PIN - MAIN ARM PIVOT	2
32	1235953	SENSOR GUARD	1



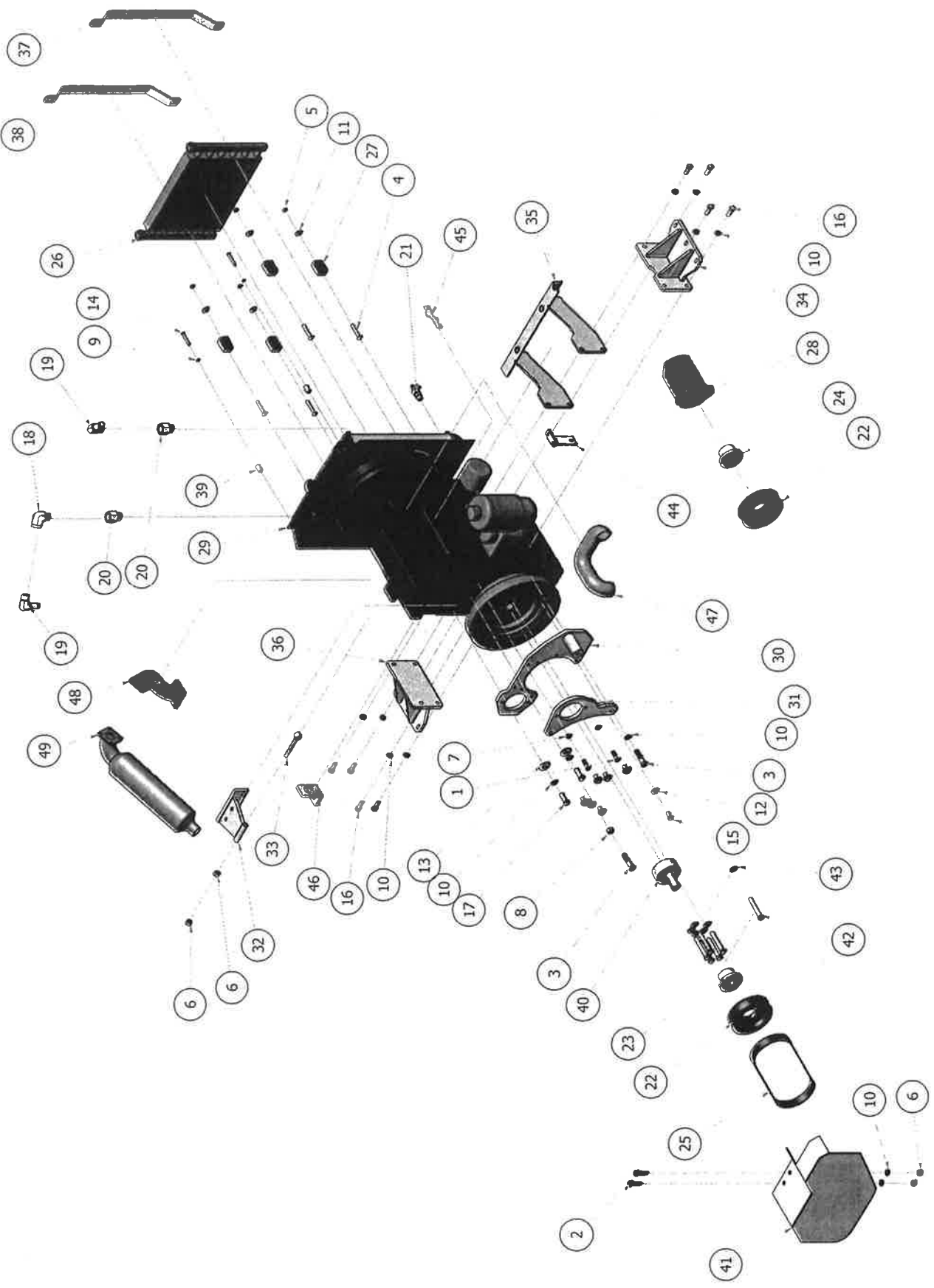
BILL of MATERIALS			
ITEM	PART NUMBER	DESCRIPTION	QTY
1	1101923	1/4" X 3/4" UNC GR. 5 PLATED HEX BOLT	12
2	1101954	5/16" X 2" UNC GR. 5 PLATED HEX BOLT	2
3	1101998	3/8" X 1 1/4" UNC GR. 5 PLATED HEX BOLT	10
4	1102001	3/8" X 1" UNC GR. 5 PLATED HEX BOLT	16
5	1102002	3/8" X 1 1/2" UNC GR. 5 PLATED HEX BOLT	3
6	1102379	3/8" X 1 1/2" UNC CARRIAGE BOLT GR. 5	4
7	1102516	1/4" UNC HEX LK. NUT GR.5 PLATED	12
8	1102536	3/8" UNC HEX LK. NUT GR.5 PLATED	11
9	1102590	3/8" SPLIT SPRING LOCK WASHER, PLATED	24
10	1102609	3/8" FLAT WASHER, PLATED	8
11	1235800 (A1110001)	MAIN CHASSIS	1
12	1235830 (A1110030)	FRONT COVER - LEFT	1
13	1235831 (A1110031)	FRONT COVER - RIGHT	1
14	1235844 (A1110044)	TANK - LEFT - FUEL	1
15	1235849 (A1110049)	SHIELD - FRONT - LEFT	1
16	1235851 (A1110051)	SHIELD - FRONT - RIGHT (GAS)	1
17	1235853 (A1110053)	HINGE - 2 X 25	2
18	1235855 (A1110055)	PLATE - TOP CONTROL COVER	1
19	1235856 (A1110056)	PLATE - VALVE MOUNT	1
20	1235863 (A1110063)	TANK - RIGHT - OIL	1
21	1235870 (A1110070)	PLATE - BOTTOM COVER	1
22	1235871 (A1110071)	PLATE - STAND PLATFORM	1
23	1235872 (A1110072)	SHIELD MOUNT - FRONT - LEFT	1
24	1235873 (A1110073)	SHIELD MOUNT - FRONT - RIGHT	1
25	1235875 (A1110075)	PANEL - LIFT ARM GUARD	1
26	1235880 (A1110080)	GRILL SHIELD - LEFT	1
27	1235881 (A1110081)	GRILL SHIELD - RIGHT	1
28	1235916 (A1110116)	DASH PANEL - KAWASAKI (GAS)	1
29	1235920 (A1110120)	GRILL - REAR PANEL - KAWASAKI (GAS)	1
30	1235922 (A1110122)	PANEL - TOE KICK - (GAS)	1
31	1235950	PIN - MAIN ARM PIVOT	2
32	1235953	SENSOR GUARD	1



BILL of MATERIALS			
ITEM	PART NUMBER	DESCRIPTION	QTY
1	1101954	5/16" X 2" UNC GR. 5 PLATED HEX BOLT	5
2	1102001	3/8" X 1" UNC GR. 5 PLATED HEX BOLT	1
3	1102002	3/8" X 1 1/2" UNC GR. 5 PLATED HEX BOLT	2
4	1102521	5/16 UNC HEX LOCK NUT GR.5 PLATED	5
5	1102536	3/8" UNC HEX LK. NUT GR.5 PLATED	2
6	1102590	3/8" SPLIT SPRING LOCK WASHER, PLATED	1
7	1102609	3/8" FLAT WASHER, PLATED	1
8	1102762	0.188 x 2.00" LG COTTER PIN	2
9	1105620	SPRING-QA PIN LOCK	2
10	1115510	SPRING BUSHING 1.000" ID X 1.250" OD X 5/8" LONG	14
11	1231044	PIN ASSY	1
12	1231047	PIN - 1 DIA - PIVOT	2
13	1231073	LIFT ARM PIN	2
14	1231075	1" DRILLED PIN, 9" LG.	1
15	1231111	SELF-LEVELING LINK WELDMENT (L)	1
16	1231112	SELF-LEVELING LINK WELDMENT (R)	1
17	1231118	QUICK ATTACH PIN	2
18	1231120	CAM - PIN PIVOT LOCK	2
19	1231123	CYLINDER SPACER	1
20	1233148	ARM PIN, 1 1/8" LIFT PIN	1
21	1234425	LEVEL ARM	1
22	1234990	QUICK ATTACH - HD	1
23	1235834 (A1110034)	LEVEL ARM - MINI	1
24	1500115	PIN RETAINER	3
25	1127336	HYD. CYL. R6-25RR-6.50	1
26	1127485	HYD. CYL. RL-30L-10.188	1
27	1234190	LIFT CYLINDER LOCK	1

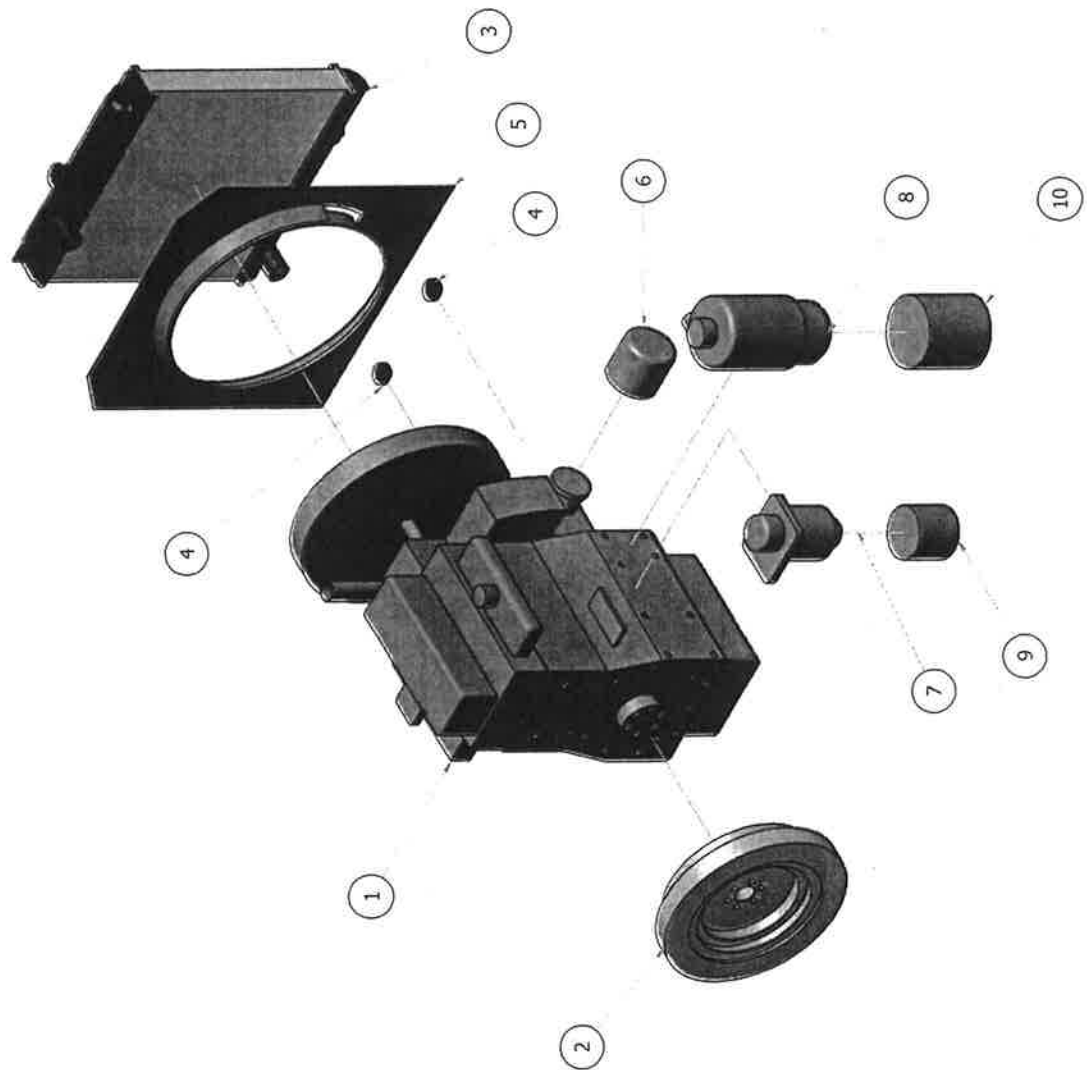


BILL of MATERIALS			
ITEM	PART NUMBER	DESCRIPTION	QTY
1	1102057	1/2" X 3 1/2" UNC GR. 5 PLATED HEX BOLT	6
2	1102068	1/2" X 9" UNC GR. 5 PLATED HEX BOLT	1
3	1102101	5/8" X 1 3/4" UNC GR. 5 PLATED HEX BOLT	2
4	1102102	5/8" X 2" UNC GR. 5 PLATED HEX BOLT	4
5	1102104	5/8" X 3" UNC GR. 5 PLATED HEX BOLT	4
6	1102151	3/4" X 2" UNC GR. 5 PLATED HEX BOLT	1
7	1102509	WHEEL BOLT - 1/2" X 7/8" UNF, 60° TAPER, PLATED	5
8	1102537	1/2" UNC HEX NYLOCK NUT, GR.5 PLATED	8
9	1102540	5/8" UNC HEX NUT GR.5 PLATED	10
10	1102551	3/4" UNC HEX LOCKNUT GR.5 PLATED-NYLON	2
11	1102594	5/8" SPLIT SPRING LOCK WASHER, PLATED	10
12	1102611	1/2" FLAT WASHER, PLATED	1
13	1117176	1 1/2" FLANGE BEARING UCF208-24	2
14	1232827	IDLER MOUNT - INNER	1
15	1232828	IDLER MOUNT - OUTER	1
16	1232847	IDLER WHEEL - TRACK	1
17	1232926	CAST DRIVE SPROCKET	2
18	1232936	BOGIE WHEEL - IDLER	8
19	1234099	IDLER ARM	2
20	1234135	TENSIONER ARM	1
21	1234506	AXLE REINFORCEMENT	1
22	1235800 (A1110001)	MAIN CHASSIS	1
23	1235936	TRACK FRAME - LEFT	1
24	1235937	TRACK FRAME - RIGHT	1
25	1235930	BRACKET-HYDRAULIC MOTOR MOUNT-RT	1
26	1235935	BRACKET-HYDRAULIC MOTOR MOUNT-LT	1
27	1232930	RUBBER TRACK - 230 x 72 x 39	2

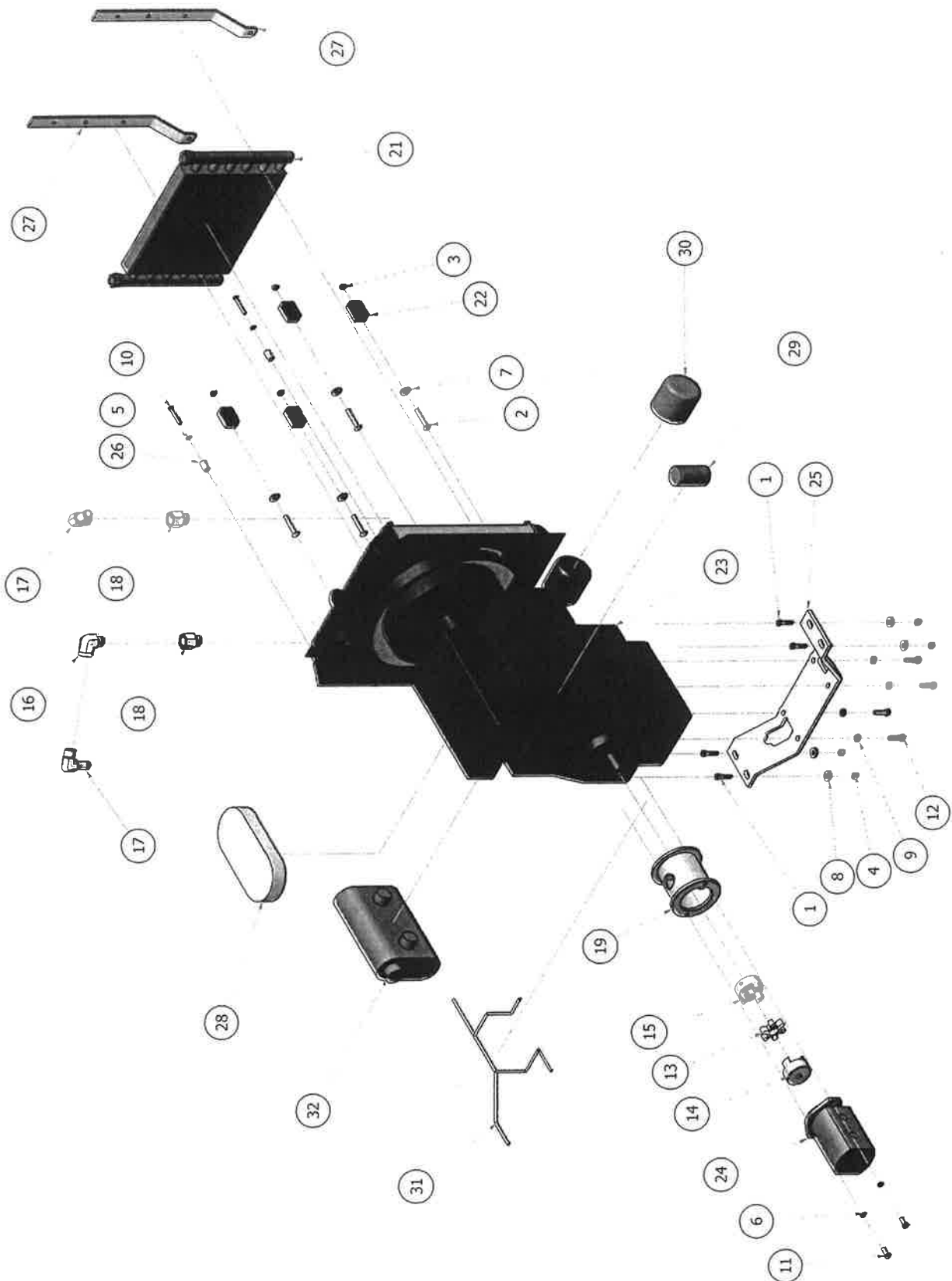




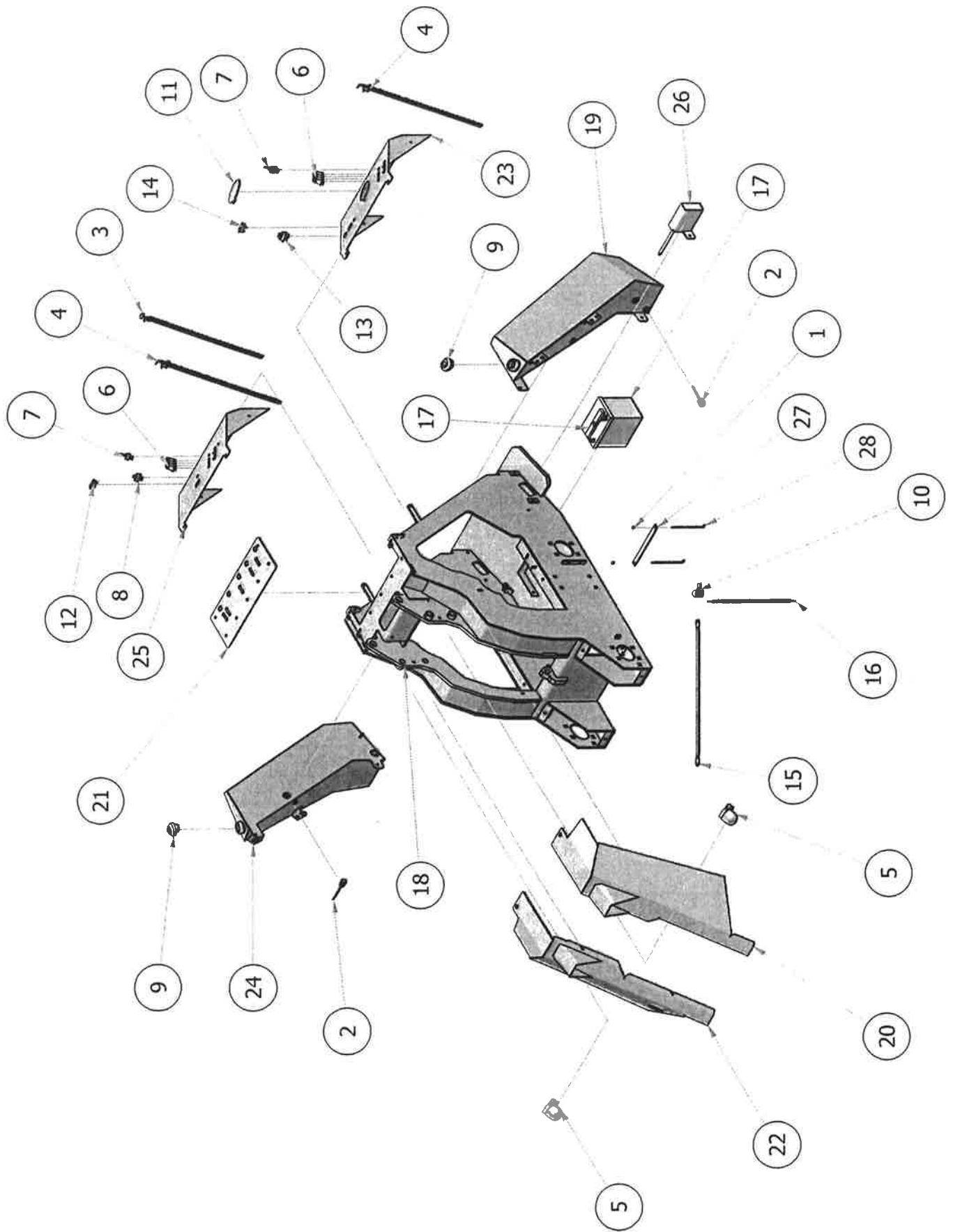
BILL of MATERIALS			
ITEM	QTY	PART NUMBER	DESCRIPTION
1	2	1102002	3/8" X 1 1/2" UNC GR. 5 PLATED HEX BOLT
2	2	1102051	1/2" X 1 1/2" UNC GR. 5 PLATED HEX BOLT
3	2	1102055	1/2" X 2 1/2" UNC GR. 5 PLATED HEX BOLT
4	4	1102396	CARRIAGE BOLT - 5/16 UNC X 2 1/2
5	4	1102521	5/16 UNC HEX LOCK NUT GR.5 PLATED
6	4	1102535	1/2" UNC HEX NUT GR.5 PLATED
7	2	1102536	3/8" UNC HEX LK. NUT GR.5 PLATED
8	1	1102538	1/2" UNC HEX LOCK NUT - STEEL/STOVER
9	2	1102588	1/4" SPLIT SPRING LOCK WASHER, PLATED
10	13	1102592	1/2" SPLIT SPRING LOCK WASHER, PLATED
11	4	1102608	5/16" FLAT WASHER, PLATED
12	7	1102609	3/8" FLAT WASHER, PLATED
13	2	1102611	1/2" FLAT WASHER, PLATED
14	2	1107316	HEX HEAD BOLT - M6 X 1.00 X 55
15	7	1107425	HEX HEAD BOLT - M10 X 1.5 X 25
16	8	1107457	HEX HEAD BOLT - M12 X 1.75 X 30
17	2	1107459	HEX HD. BOLT - M12 X 1.75 X 40
18	1	1124468	ELBOW - 90 DEG - 3/4 NPTM X 3/4 NPTF
19	2	1190043	ELBOW - 90 DEG - 3/4MNPT X 3/4 HOSE BARB
20	2	1190118	ADAPTER - 0.750-14 NPTM X 0.750-14 NPTF
21	1	1233239	OIL DRAIN
22	2	1234500	PULLEY - TIMING - (P56-8M-30-SDS)
23	1	1234501	HUB - BOLT-ON - 1 SHAFT
24	1	1234502	HUB - BOLT-ON - 5/8 SHAFT
25	1	1234503	TIMING BELT - 960-8M-30
26	1	1234572	OIL COOLER - DIESEL
27	4	1234573	MOUNT - COOLER VIBRATION BLOCK
28	1	1235774	HYDRAULIC PUMP - DUAL GEAR - LH
29	1	1235770	ENGINE - DAEDONG (DIESEL)-COMPLETE
30	1	1235885	PUMP MOUNT - DAEDONG (DIESEL)
31	1	1235890	PUMP MOUNT - PUMP
32	1	1235895	PUMP MOUNT - TIGHTENER SUPPORT
33	1	1235896	TIGHTENER - PUMP MOUNT
34	1	1235899	MOUNT - ENGINE - DIESEL - LEFT
35	1	1235900	MOUNT - ENGINE - DIESEL - CENTER
36	1	1235901	MOUNT - ENGINE - DIESEL - RIGHT
37	1	1235905	BRACKET - OIL COOLER MOUNT
38	1	1235910	BRACKET - OIL COOLER MOUNT
39	2	1235912	PIPE - 1/4 SCH 40
40	1	1235940	STUB SHAFT - 3 1/2 CR C1018
41	1	1235944	BELT COVER
42	6	1235945	BOLT, M12-1.75 X 90mm
43	6	1235947	WASHER, 1/2" ID, 1" OD X 2.8mm
44	1	1235958	FUEL PUMP MOUNT
45	1	1235971	THROTTLE CABLE BRACKET
46	1	1235884 (A1110084)	BRACKET - EXHAUST SUPPORT
47	1	1235973	HOSE - FLEX - AIR INTAKE
48	1	1235962	EXHAUST EXTENSION - DAEDONG
49	1	1234545	EXHAUST MUFFLER



BILL of MATERIALS			
PART NUMBER	ITEM	QTY	DESCRIPTION
1235980	1	1	DAEDONG ENGINE - BASE ENGINE
1235975	2	1	FLYWHEEL - DAEDONG ENGINE
1235976	3	1	RADIATOR - DAEDONG
1235982	4	2	RUBBER GROMMET - RAD MOUNT
1235977	5	1	SHROUD - RADIATOR FAN
1235981	6	1	OIL FILTER - DAEDONG ENGINE
1235979	7	1	FUEL FILTER - DAEDONG ENGINE
1235978	8	1	AIR CLEANER - DAEDONG ENGINE
1235983	9	1	ELEMENT - FUEL FILTER - DAEDONG ENGINE
1235984	10	1	ELEMENT - AIR FILTER - DAEDONG ENGINE

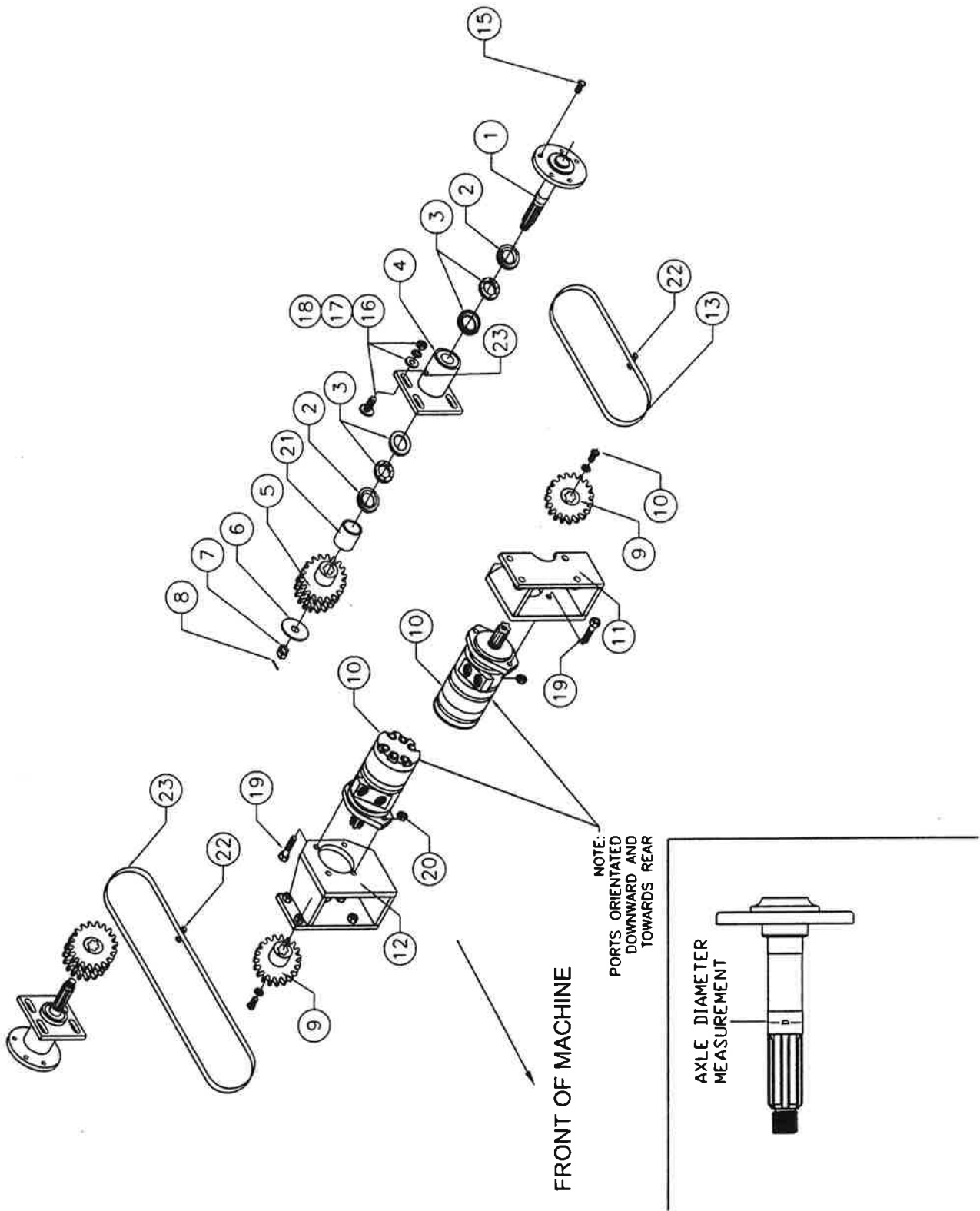


BILL of MATERIALS			
ITEM	QTY	PART NUMBER	DESCRIPTION
1	4	1102002	3/8" X 1 1/2" UNC GR. 5 PLATED HEX BOLT
2	4	1102396	CARRIAGE BOLT - 5/16 UNC X 2 1/2
3	4	1102521	5/16 UNC HEX LOCK NUT GR.5 PLATED
4	4	1102536	3/8" UNC HEX LK. NUT GR.5 PLATED
5	2	1102588	1/4" SPLIT SPRING LOCK WASHER, PLATED
6	2	1102589	5/16" SPLIT SPRING LOCK WASHER, PLATED
7	4	1102608	5/16" FLAT WASHER, PLATED
8	4	1102609	3/8" FLAT WASHER, PLATED
9	4	1107069	10MM SPLIT SPRING LOCK WASHER, PLATED
10	2	1107316	HEX HEAD BOLT - M6 X 1.00 X 55
11	2	1107358	M8 X 1.25 X 25mm LG. PLATED HEX BOLT
12	4	1107409	HEX HEAD BOLT - M10 X 1.5 X 35
13	1	1117076	MARTIN HYTREL SPIDER COUPLING 99-100
14	1	1117180	HALF LOVEJOY COUPLING, L099 X 5/8", 5/32" KEYED
15	1	1117181	HALF LOVEJOY COUPLING-L099 X 1 1/8", 1/4" KEYED
16	1	1124468	ELBOW - 90 DEG - 3/4 NPTM X 3/4 NPTF
17	2	1190043	ELBOW - 90 DEG - 3/4MNPT X 3/4 HOSE BARB
18	2	1190118	ADAPTER - 0.750-14 NPTM X 0.750-14 NPTF
19	1	1230351	PUMP MOUNT
20	1	1233239	OIL DRAIN VALVE
21	1	1234572	OIL COOLER - DIESEL
22	4	1234573	MOUNT - COOLER VIBRATION BLOCK
23	1	1235771	ENGINE - KAWASAKI (GAS)
24	1	1235773	HYDRAULIC PUMP - DUAL GEAR - RH
25	1	1235915	3/8 H/R A36 PLATE
26	2	1235927	SPACER PIPE - COOLER - 1/4 SCH 40
27	2	1235970	COOLER MOUNT-(GAS)
28	1	1235778	AIR FILTER - KAWASAKI - FD791
29	1	1235779	FUEL FILTER - KAWASAKI - FD791
30	1	1235780	OIL FILTER - KAWASAKI - FD791
31	1	1235777	WIRING HARNESS - KAWASAKI - FD791
32	1	1235776	EXHAUST SYSTEM - KAWASAKI - FD791



BILL of MATERIALS			
ITEM	QTY	PART NUMBER	DESCRIPTION
1	2	1102516	1/4" UNC HEX LK. NUT GR.5 PLATED
2	2	1125859	LEVEL SENSOR
3	1	1190012	CHOKE CONTROL - #60-122
4	2	1190013	THROTTLE CONTROL - #60-028
5	2	1190017	FOG LIGHT
6	8	1190022	INDICATOR LIGHT
7	2	1190023	TOGGLE SWITCH -W/BOOT
8	1	1190062	KEYSWITCH , INDAK 3Z463A
9	2	1190064	OIL/FUEL DOMED CAP
10	1	1234327	BATTERY TERMINAL COVER, RED
11	1	1234369	COVER - RAD - 11 GA SHEET
12	1	1234533	TACH-HOURMETER - SENDEC (GAS)
13	1	1234551	KEYSWITCH - DIESEL
14	1	1234558	SENDEC HOURMETER (DIESEL)
15	1	1235503	BATTERY CABLE, BLACK, 4GA. X 25" LG.
16	1	1235509	BATTERY CABLE, RED, 4GA. X 25" LG.
17	1	1235772	BATTERY - 12 VOLT - 450 CCA
18	1	1235800 (A1110001)	MAIN CHASSIS
19	1	1235844 (A1110044)	TANK - LEFT - FUEL
20	1	1235849 (A1110049)	SHIELD - FRONT - LEFT
21	1	1235855 (A1110055)	PLATE - TOP CONTROL COVER
22	1	1235858 (A1110058)	SHIELD - FRONT - RIGHT (DIESEL)
23	1	1235859 (A1110059)	DASH PANEL - DAEDONG (DIESEL)
24	1	1235863 (A1110063)	TANK - RIGHT - OIL
25	1	1235916 (A1110116)	DASH PANEL - KAWASAKI (GAS)
26	1	1235953	SENSOR GUARD
27	1	1235966	BATTERY CROSS BAR LONG
28	2	1235967	SHORT BATTERY TIE DOWN BOLT

# FINAL DRIVE ASSEMBLY

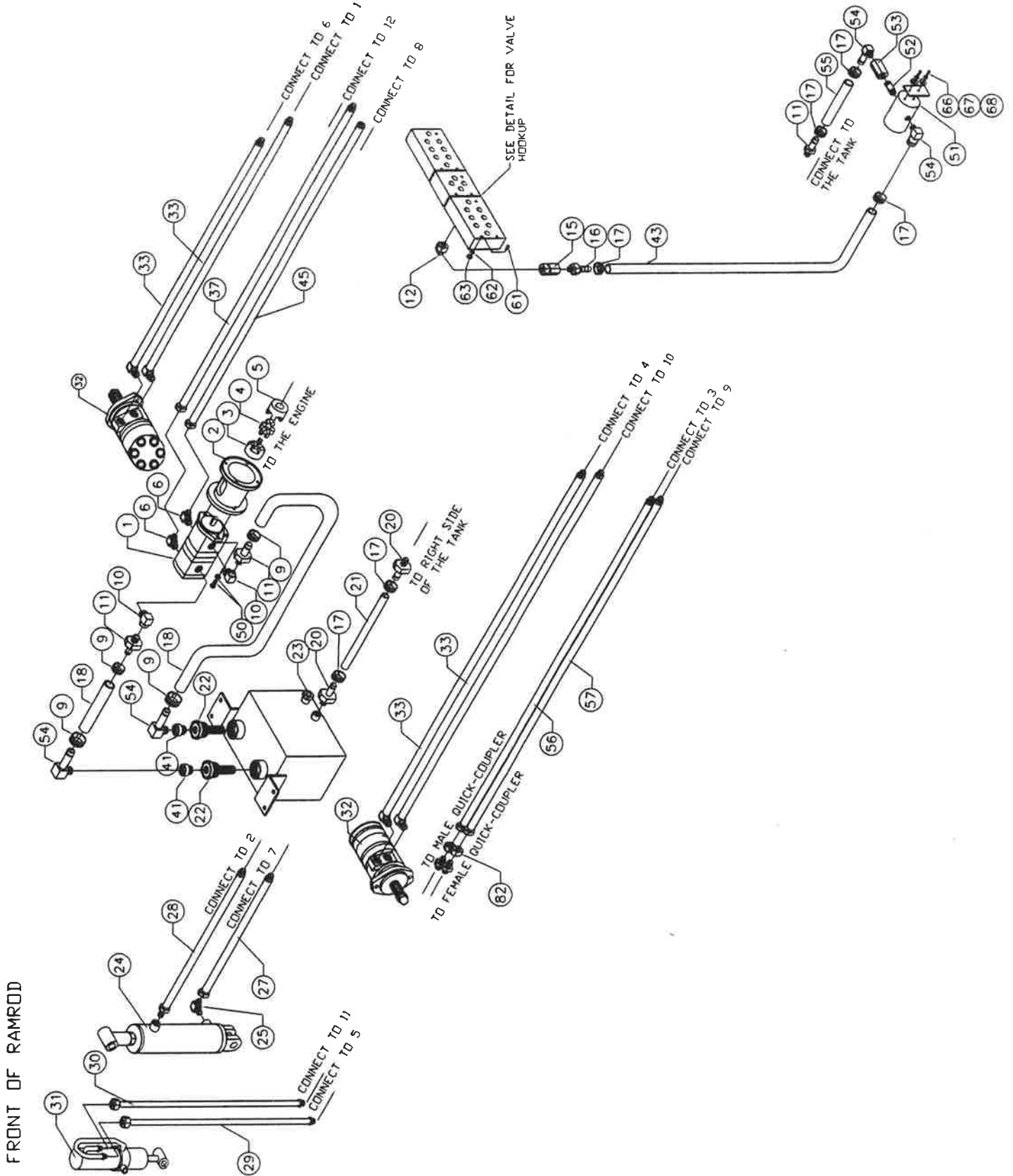




## PARTS LIST - FINAL DRIVE

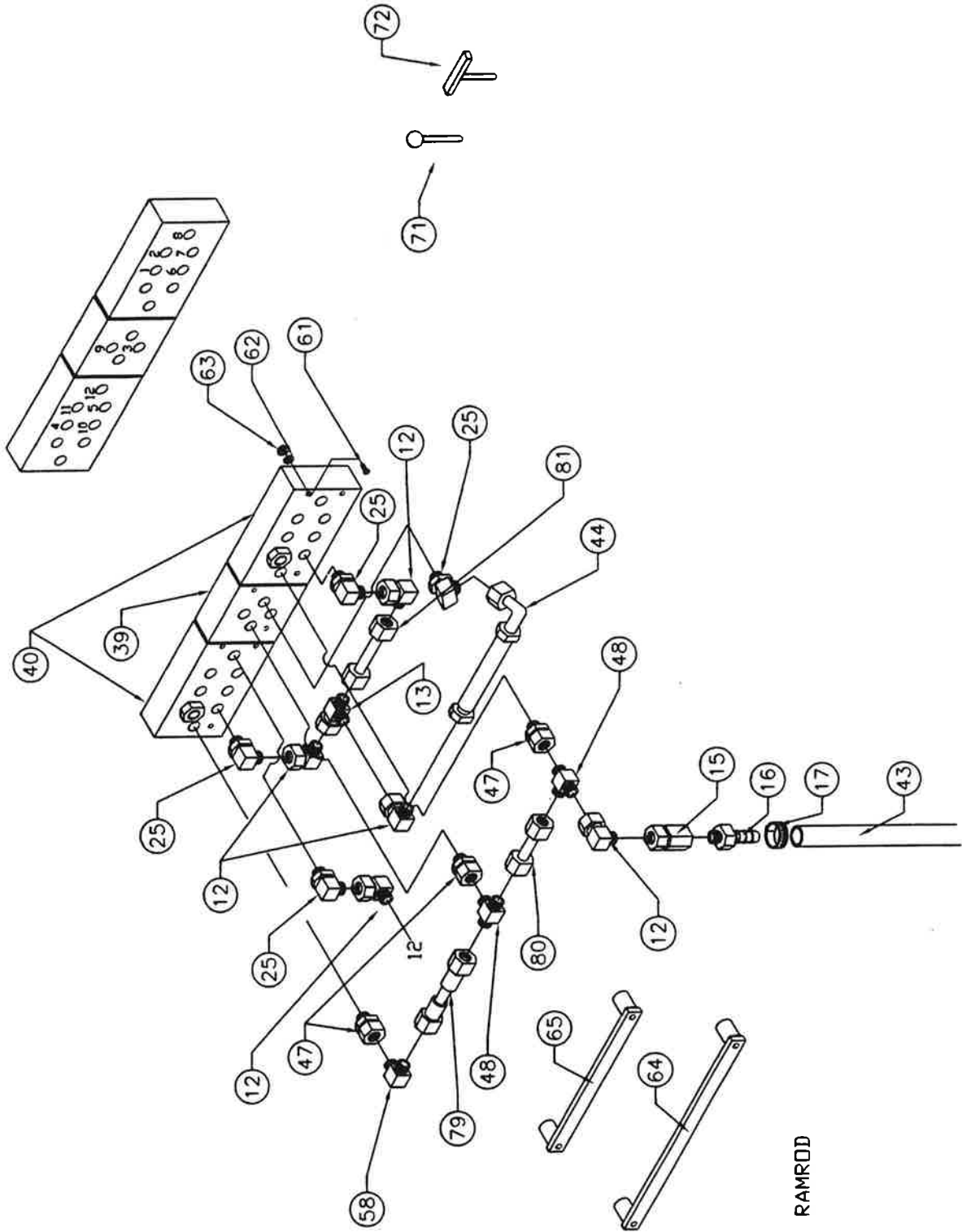
ITEM	PART NO.	DESCRIPTION	QTY.
1	1234332	AXLE 1 3/4" SHAFT (2 PER TRACK)	2
2	1135336	GREASE SEAL 1 3/4" SHAFT (4 PER TRACK)	4
3	1135337	BEARING AND RACE 1 3/4" SHAFT (4 PER TRACK)	4
4	1234331	HUB WELDMENT 1 3/4" SHAFT (2 PER TRACK)	2
5	1235951	SPROCKET, 1 3/4" AXLES (REAR AXLES ONLY)	2
6	1102639	HEAVY DUTY 3/4" WASHER	4
7	1102562	SLOTTED NUT ( TRACK MACHINE )	2
8	1102768	COTTER PIN ( TRACK MACHINE )	2
9	1235952	SPROCKET	2
10	1127461	HYDRAULIC MOTOR WITH BOLT AND FLAT WASHER	2
11	1235935	HYDRAULIC MOTOR MOUNT LEFT (TRACK MACHINE)	1
12	1235930	HYDRAULIC MOTOR MOUNT RIGHT (TRACK MACHINE)	1
13	1113408	SHORT MOTOR CHAIN, 35 PITCHES	1
14	1113407	LONG MOTOR CHAIN 51 PITCHES	1
15	1102509	WHEEL BOLT ( TRACK MACHINE )	10
16	1102395	CARRIAGE BOLT 5/8" UNC X 2" LG (TRACK MACHINE)	12
17	1102614	FLAT WASHER 5/8" (TRACK MACHINE)	8
18	1102540	HEX NUT 5/8" UNC (TRACK MACHINE)	12
19	1107509	HEX BOLT 14MM X 2.0P X 60 MM LG	4
20	1107156	LOCK NUT 14MM X 2.0P	4
21	1234159	SLEEVE 1 3/4" SHAFT (2 PER TRACK)	2
22	1113379	#60H CONNECTING LINK, ANSI	2
23	1122759	1/4" GREASE ZERK (TRACK MACHINE )	9

# HYDRAULIC PARTS LAYOUT



# HYDRAULIC PARTS LAYOUT

# HYDRAULIC VALVE DETAIL



FRONT OF RAMROD

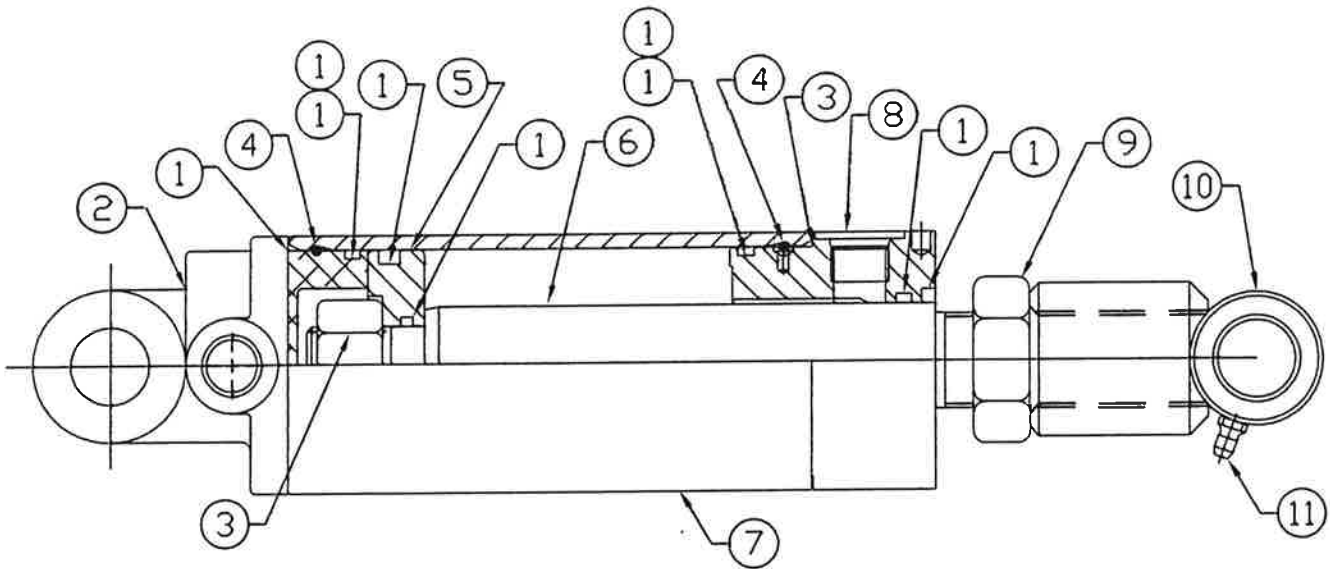
## PARTS LIST - HYDRAULIC SYSTEM

ITEM	PART NO.	DESCRIPTION	QTY.
1	1235773	DUAL INLET GEAR PUMP, 8cc/SECTION (RH ROTATION - GAS ENGINES)	1
1	1235774	DUAL INLET GEAR PUMP, 11cc/SECTION (LH ROTATION - DIESEL ENGINES)	1
2	1230351	PUMP MOUNT (GAS ENGINE)	1
3	1117180	5/8" COUPLER HALF (GAS ENGINE)	1
4	1117076	SPYDER (GAS ENGINE)	1
5	1117181	1 1/8" COUPLER HALF (GAS ENGINE)	1
6	1190046	ELBOW 90, 7/8" ORBM SW X 3/4-16 JICM	2
7			
8			
9	1190053	1" HOSE CLAMP	2
10	1122941	ELBOW 90, 1 1/16-12 ORBM X 3/4-14 NPTF SW	1
11	1190044	ADAPTER, 3/4-14 NPTM X 3/4" HOSE BARB	3
12	1124405	ELBOW 90, 3/4 - 16 JICM X 3/4 - 16 JICF SW	5
13	1124422	BRANCH TEE, 3/4-16 JICF SW X 3/4-16 JICM (2)	1
14			
15	1190059	ADAPTER 3/4-16 JICF SW X 1/2" NPTF	1
16	1190060	COUPLER, 1/2" NPTM X 3/4" HOSE BARB	1
17	1190054	3/4" HOSE CLAMP	6
18	1123592	HYDRUALIC HOSE 3/4" X 22" LG	1
19			
20	1190057	ADAPTER, 1-11 1/2 NPTM X 1" HOSE BARB	2
21	1190115	HYDRAULIC HOSE 1" X 44" LG	1
22	1190041	TANK STRAINER	1
23	1122921	PLUG 3/4" NPTM	2
24	1127485	LIFT CYLINDER 3 BORE X 10.188 STROKE (NEW CYLINDER)	1
25	1123210	ELBOW 90, 3/4 - 16 JICM X 3/4 - 16 ORBM	5
26			
27	1123568	HYDRAULIC HOSE 3/8" X 34 1/2" LG, 3/4 - 16 JICF SW X 3/4 - 16 ORBM SW	1
28	1123569	HYDRAULIC HOSE 3/8" X 25" LG, 3/4 - 16 ORBM X 3/4 - 16 ORBM SW	1
29	1123570	HYDRAULIC HOSE 3/8" X 80" LG, 3/4 - 16 JICF SW X 3/4 - 16 ORBM SW	1
30	1123571	HYDRAULIC HOSE 3/8" X 76" LG, 3/4 - 16 JICF SW X 3/4 - 16 ORBM SW	1
31	1127336	TILT CYLINDER	1
32	1127461	DRIVE MOTOR PARKER	2
33	1235965	HYD. HOSE 1/2" X 62" LG, 7/8 - 14 ORBM 90 DEG. SW X 3/4 - 16 ORBM SW	4
34			
35			
36			
37	1123576	HYDRAULIC HOSE 1/2" X 36" LG, 3/4 - 16 ORBM SW X 3/4 - 16 JICF SW	1
38			
39	1125841	1 LEVER VALVE	1
40	1125840	3 LEVER VALVE	2
41	1190114	ADAPTER, 3/4-14 NPTF X 1-11 1/2 NPTM	1

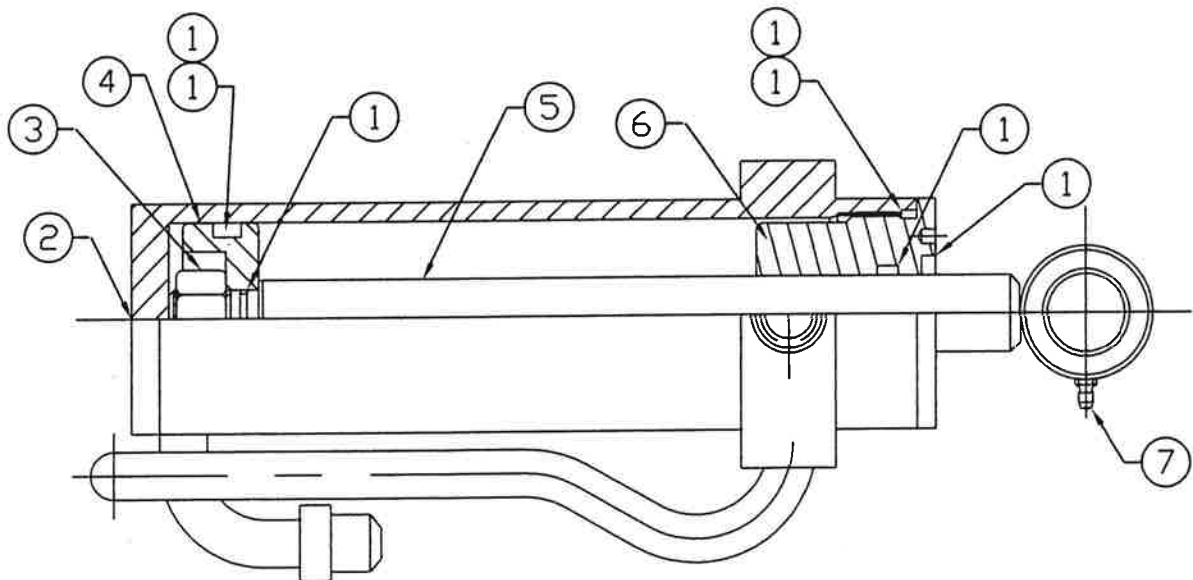
## PARTS LIST - HYDRAULIC SYSTEM

ITEM	PART NO.	DESCRIPTION	QTY.
43	1123581	SUCTION/RETURN HOSE 3/4" X 41" LG	1
43	1190052	SUCTION/RETURN HOSE 3/4" X 44" LG (COOLER UNITS ONLY)	1
44	1123591	HYD. HOSE, 3/8" X 7 LG. 3/4 - 16 JICF SW X 3/4 - 16 JICF 90 DEG SW	1
45	1123583	HYDRAULIC HOSE 1/2" X 30" LG, 3/4 - 16 JICF SW (2)	1
46			
47	1123585	ADAPTER, 3/4 - 16 JICF SW X 3/4 - 16 ORBM	3
48	1122828	TEE, 3/4 - 16 JICM (3)	2
49	1101998	BOLT 3/8" X 1 1/4" LG	2
50	1102590	LOCKWASHER 3/8" DIA	2
51	1190042	FILTER ASSEMBLY	1
51	1190065	CARTRIDGE FOR FILTER ASSEMBLY	1
52	1122894	ADAPTER 3/4" NPTM X 3/4" NPTM	1
53	1190058	CHECK VALVE 3/4" NPTF X 3/4" NPTF	1
54	1190043	ELBOW 90, 3/4" NPTM X 3/4" HOSE BARB	3
55	1190051	HYDRAULIC HOSE 3/4" X 26" LG	1
56	1123614	HYDRAULIC HOSE 3/8" X 35" LG, 3/4 -16 JICF SW X 3/4 - 16 ORBM SW	1
57	1123615	HYDRAULIC HOSE 3/8" X 31" LG, 3/4 -16 JICF SW X 3/4 - 16 ORBM SW	1
58	1123587	ELBOW 90, 3/4 - 16 JICM (2)	1
59	1127456	COUPLER, FEMALE 1/2" NPTF, TEMA, (NOT SHOWN)	1
60	1127457	COUPLER, MALE 1/2" NPTM, TEMA, (NOT SHOWN)	1
61	1101953	BOLT 5/16" X 1 3/4" LG	9
62	1102589	LOCKWASHER 5/16" DIA	9
63	1102520	HEX NUT 5/16" DIA	9
64	1233144	LONG CONTROL BAR WELDMENT	1
65	1233145	SHORT CONTROL BAR WELDMENT	1
66	1101923	BOLT 1/4" UNC X 3/4" LG	2
67	1102588	LOCKWASHER 1/4" DIA	2
68	1102607	FLATWASHER 1/4" DIA	2
69	1190061	HOSE PROTECTOR 93075 3/8" X 20" LG FOR TILT CYL. (NOT SHOWN)	2
70	1122920	PLUG 1/2" NPTM NOT SHOWN	2
71	1190066	CONTROL LEVER	5
72	1190067	T-HANDLE	2
73	1190068	HYDRAULIC PUMP SEAL KIT (NOT SHOWN)	1
74	1190069	HYDRAULIC MOTOR SEAL KIT (NOT SHOWN)	1
75	1125130	LIFT CYLINDER SEAL KIT (NOT SHOWN)	1
76	1128406	TILT CYLINDER SEAL KIT (NOT SHOWN)	1
77	1190071	1 LEVER VALVE SEAL KIT (NOT SHOWN)	1
78	1190072	3 LEVER VALVE SEAL KIT (NOT SHOWN)	1
79	1124372	HYDRAULIC HOSE 3/8" X 6 1/4" LG., 3/4-16 JICF SW (2)	1
80	1123589	PIPE LINE - 2.5" LG.	1
81	1123590	PIPE LINE - 7.9" LG.	1
82	1190099	BULKHEAD FITTING, 3/4" JICM X 1/2" NPTM	2

# LIFT CYLINDER



# TILT CYLINDER



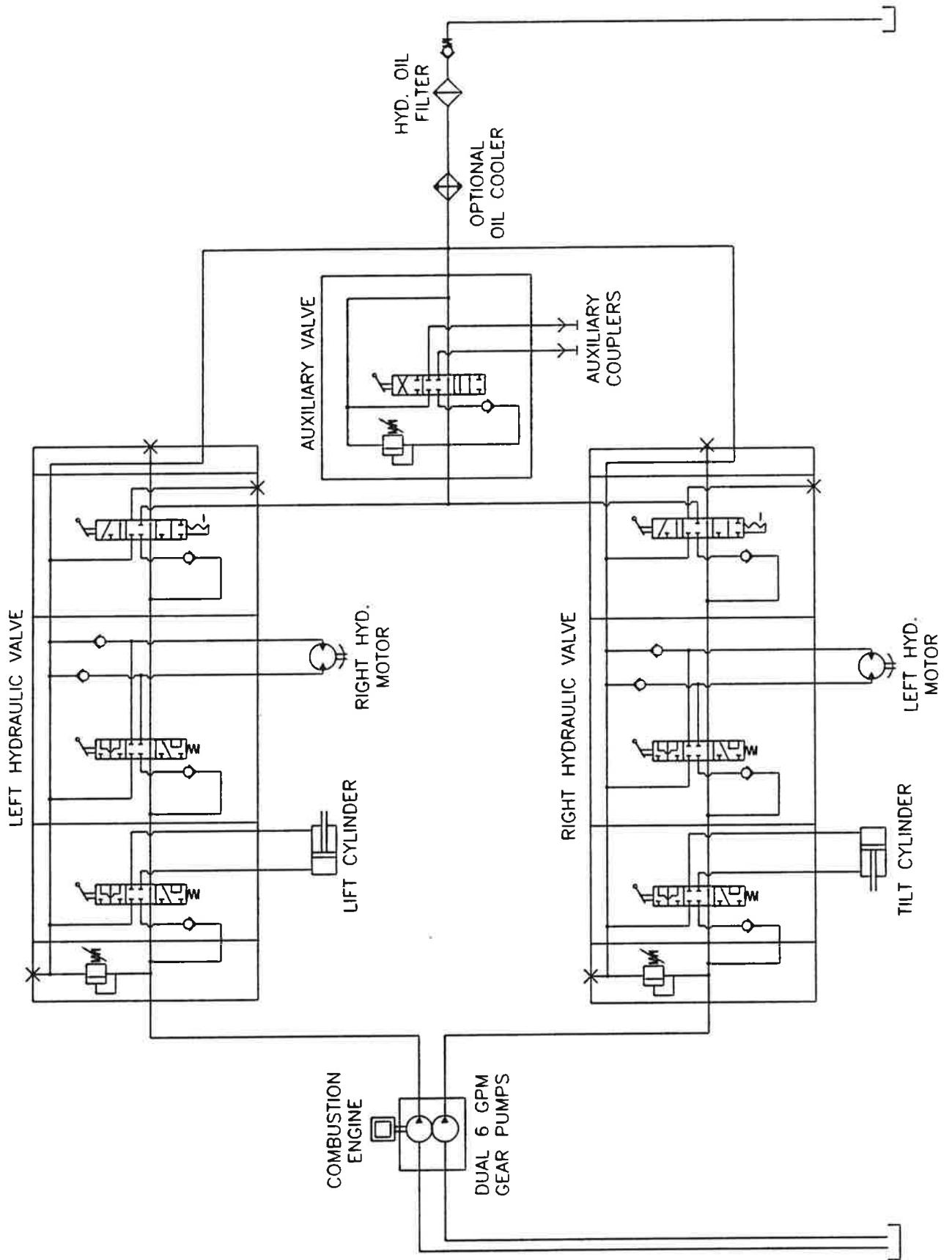
### PARTS LIST - LIFT CYLINDER

ITEM	PART NO.	DESCRIPTION	QTY.
1	1125130	LIFT CYLINDER SEAL KIT	1
2	1125131	BUTT CLEVIS	1
3	1125132	LOCKNUT	1
4	1125133	RETAINING WIRE	2
5	1125134	PISTON	1
6	1125135	SHAFT	1
7	1125136	BARREL	1
8	1125137	CYLINDER HEAD	1
9	1125138	JAM NUT	1
10	1125139	CROSS TUBE	1
11	1122759	GREASE ZERK	1

### PARTS LIST - TILT CYLINDER

ITEM	PART NO.	DESCRIPTION	QTY.
1	1128406	TILT CYLINDER SEAL KIT	1
2	1125115	BARREL	1
3	1125114	LOCKNUT	1
4	1125113	PISTON	1
5	1125112	SHAFT	1
6	1125111	GLAND	1
7	1122759	GREASE ZERK	1

# HYDRAULIC CIRCUIT DIAGRAM





## PARTS LIST - DECALS

PART NO.	DESCRIPTION	QTY.
1178043	DECAL PLAIN RAMHEAD SMALL	1
1178050	DECAL DASH PANEL	1
1178054	DECAL MADE IN NORTH AMERICA	1
1178055	DECAL LIFT POINT	2
1178056	DECAL CYLINDER LOCK	1
1178057	DECAL AUXILLIARY POWER	1
1178059	DECAL LIFT AND TILT	1
1178060	DECAL DRIVES	1
1179073	DECAL DIESEL	1
1179152	DECAL MINI PATENTS	1
1179162	DECAL GASOLINE	1
1179163	DECAL HYDRAULIC FLUID	1
1235784	DECAL PRO SERIES -W/STRIPES	2
1235785	DECAL 1350	3
1235786	DECAL RAMROD PRO SERIES -W/STRIPES	4
1235787	DECAL 'SWISH' RIGHT -W/STRIPES	1
1235788	DECAL 'SWISH' LEFT -W/STRIPES	1
1235789	DECAL OPERATING INSTRUCTIONS	1
1235790	DECAL SAFETY FIRST	1
1235985	DECAL AUX ON-OFF - 7 GPM	2
1260183	DECAL 'R/R' LARGE -W/STRIPES	2
1235762	DECAL KIT - 1350	1

**NOTES:**